



\* illustrative photo only

07/24

## EVO 1x10 PAP (100% Recycled)

### Basic information

Pack intended for packaging, storage, distribution and sale of hen eggs	
Product code	998
Units / Pack	1
Eggs / Unit	10
Caliber	S/M/L
Material	recycled paper
Available in clarity	natur
Clamp force	n/a
Pressure	30 kg (min)

### Decoration

Label	yes
Inlid print	yes (1 colour)

### Storage

Pallet Dimensions	1220 x 800 x 2620 mm
Storage Time (maximum)	1 year
Relative Humidity	45 - 65%
Storage Condition	<b>Do not expose to outdoor weather conditions!</b>

### Transport

	Bundle	Pieces
Truck (33 pallet)	1 650	115 500
Pallet	50	3 500
40 HC Container (27 pallet)		93 150
C45 Container (32 pallet)	1 440	100 800

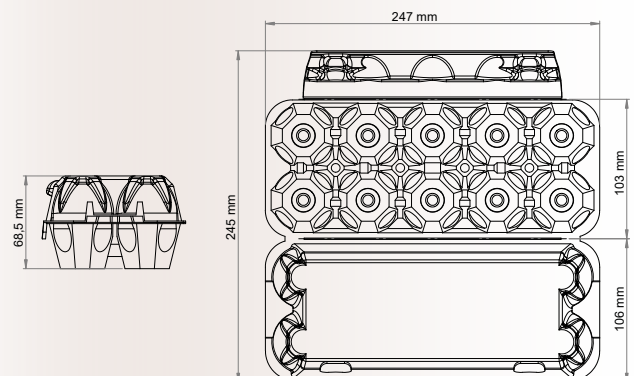
### Delivery

Dimensions of Bundle / (LxWxH)	800 x 247 x 245 mm
Net Weight	3,10 kg
Volume of Bundle / Pieces in Bundle	0,05 m <sup>3</sup> / 70

### Packing Station Setup

<b>SANOVO</b>	ID = EP0019				
<b>MOBA</b>	ID = EP1007	L	G	J	I1 I2 jaw
		13	12	27	14 36 114
<b>SIME-TEK</b>		A	B	C	D
		250	10	115	134

### Dimensions (Indicative)



The mark of responsible forestry  
FSC® C202027



Ing. Erik Hevesi  
Commercial & Supply Chain director



Europack a.s., Veľkobláhovská cesta 680  
929 01 Dunajská Streda, SLOVAKIA  
Tel.: + 4 2 1 / 3 1 / 5 5 7 7 2 6 1  
sales@europack.sk / www.europack.sk